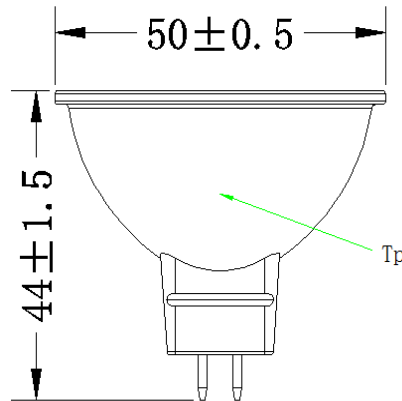


DIMENSIONS (mm):

Energy Class : **A+**



Bulb type : MR16
Cap type : GU5.3

Finish : Glass
Light Colour : 827 Homelight

ELECTRICAL DATA:		RATED	MIN.	MAX.
Lamp Wattage	(W) :	6.3	-	6.9
Lamp Voltage	(V) :	12.0	10.8	13.2
Lamp Current	(mA) :	560		
Power Factor	(λ) :	0.9	0.85	
Supply Frequency	(Hz) :	DC/ 50/60/HF		
Energy Consumption per 1000h	(kW/h) :	6.7		

PHOTOMETRIC DATA:				
Beam Angle	(°) :	36	27	45
Luminous Intensity	(cd) :	900	675	1125
Useful Luminous Flux	(lm) :	450	405	-
Useful Luminous Efficacy	(lm/W) :	71		
Correlated Colour Temperature	(K) :	2700		
Colour Rendering Index	(Ra) :	80	77	-
Red Colour Rendition	(R9) :	6	0	
Chromaticity Co-ordinates	(x,y) :	CCx=0.4578 CCy=0.4101	6-step MacAdam Ellipse	

OPERATING CONDITIONS:				
Ta Ambient temperature range	(°C) :	25	-20	45
Tp Point	(°C) :	97	-	-
Starting Time	(s) :	-	-	0.5
Warm-up time to >95% Flux	(s) :	-	-	2.0
Inrush Current	(A) :	8.0		
Inrush Duration	(µs) :	500		
IP Degree	:	IP20		
PBS	:	RG1		
Burning position	:	Universal		
Control Gear	:	Integrated Electronic		

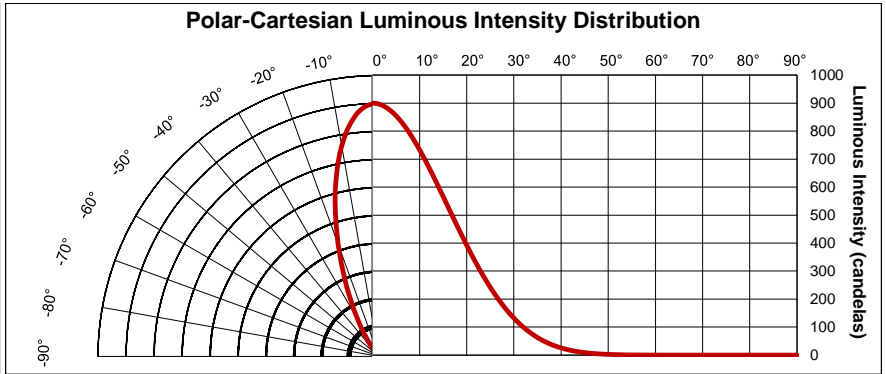
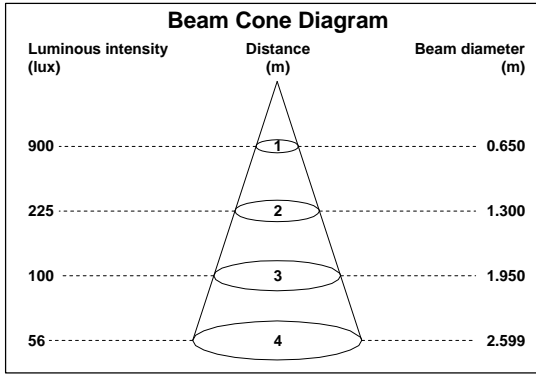
LAMP LIFE:			
Average Life (L _{70F50})	(h) :	25,000	
Switching Cycles	(#) :	100,000	

APPLICATION: General lighting. Not suitable for use in totally enclosed luminaires.
Broad compatibility with high frequency electronic transformers and dimmers. Complies with IEC62560, IEC62612, IEC62471, IEC61547, IEC61000, EN55015, EN62493.

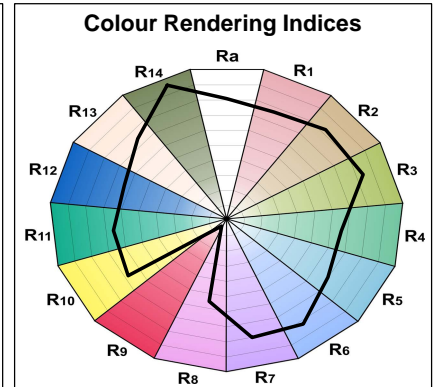
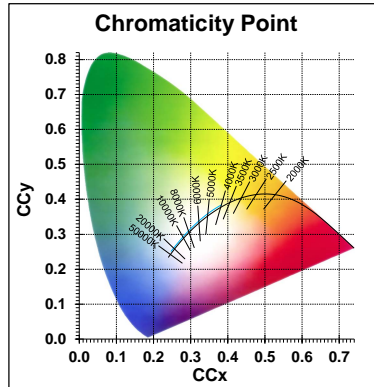
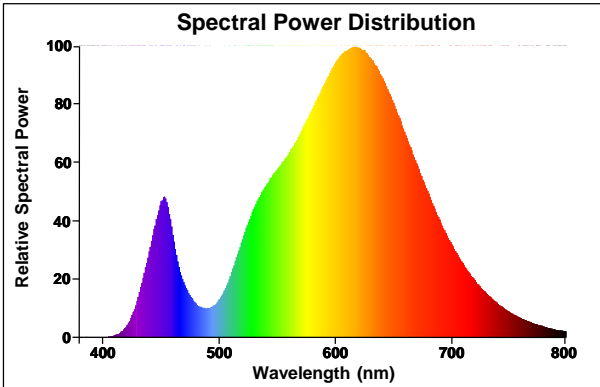
Issued by : GUANGZHOU	DATA SHEET	Spec No. : AEC_L-LED-R16-0029419
Date : 08-VI-2018		Supersedes :
Revision date :		Page : 1 of 2



PHOTOMETRIC GRAPHICS:



SPECTRAL GRAPHICS:



Issued by : GUANGZHOU
Date : 08-VI-2018
Revision date :

DATA SHEET

Spec No. : AEC_L-LED-R16-0029419
Supersedes :
Page : 2 of 2

Feilo SYLVANIA reserves the right to change data and specifications without notice.
Data for guidance only.